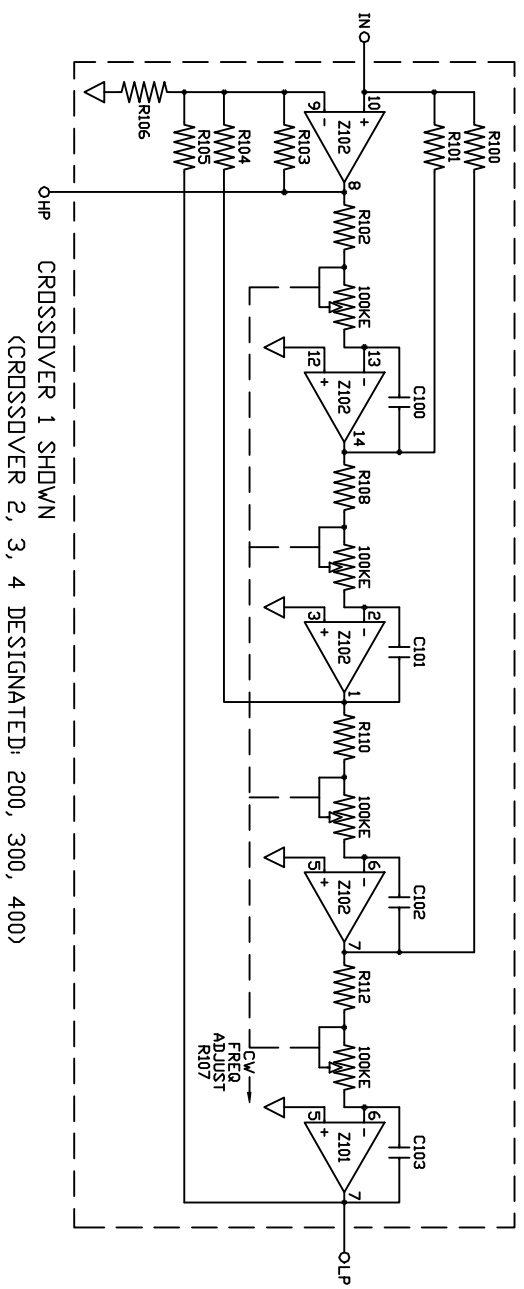
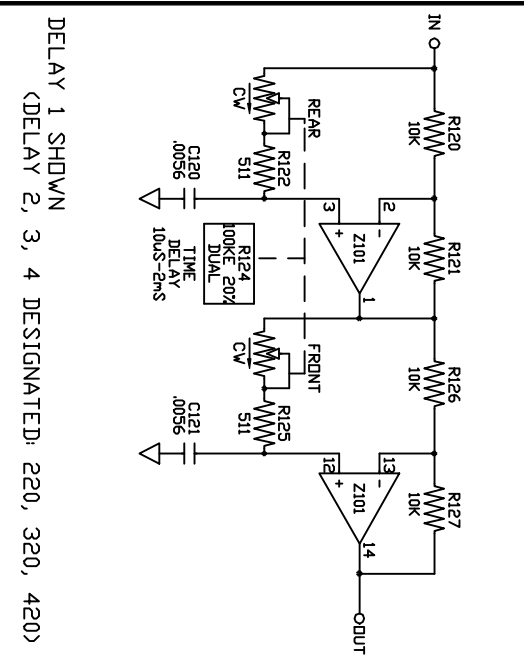


Corp. 10802 47th Avenue West, Mukilteo
 WA 98275-5098 (425) 355-6000

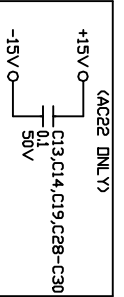
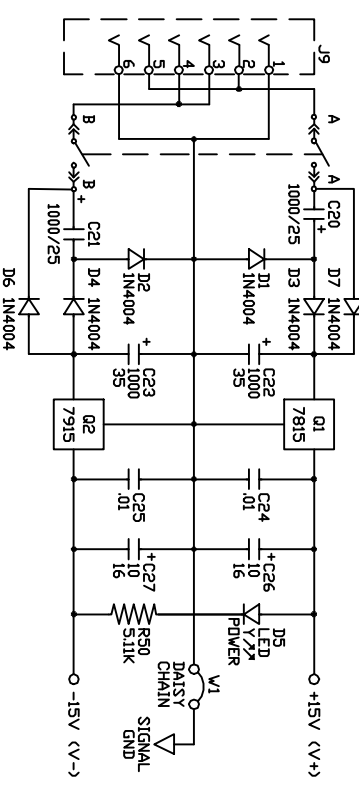
DETAIL 1: TYPICAL LINKWITZ-RILEY CROSSOVER CIRCUIT



DETAIL 2: TYPICAL DELAY



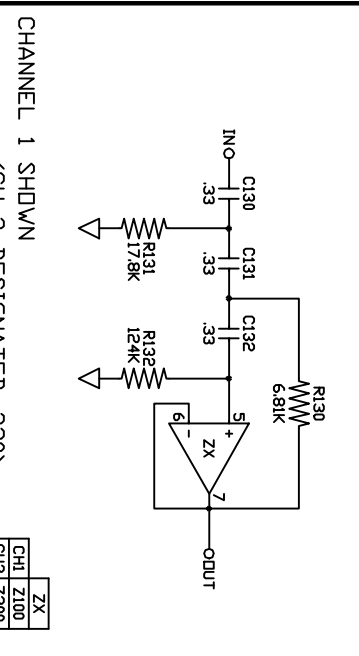
POWER SUPPLY



NOTES (UNLESS OTHERWISE NOTED)

1. ALL RES 1/4W, 1% METAL FILM.
 2. POWER SUPPLY CONNECTIONS:
- | | | |
|------|---------|---------|
| SING | POS SUP | NEG SUP |
| DIAD | 8 | 4 |
| QUAD | 4 | 11 |
3. ALL SVS SHOWN IN THEIR 'OUT' OR 'OFF' POSITION
 4. IC TYPES: Z1, Z2, Z3, Z100, Z300 = TL072
Z101, Z102, Z201, Z202, Z301, Z302, Z401, Z402 = DP11

DETAIL 3: TYPICAL SUBSONIC FILTER



CHANNEL 1 SHOWN
(CH 2 DESIGNATED: 230)

CH1	Z100
CH2	Z200

