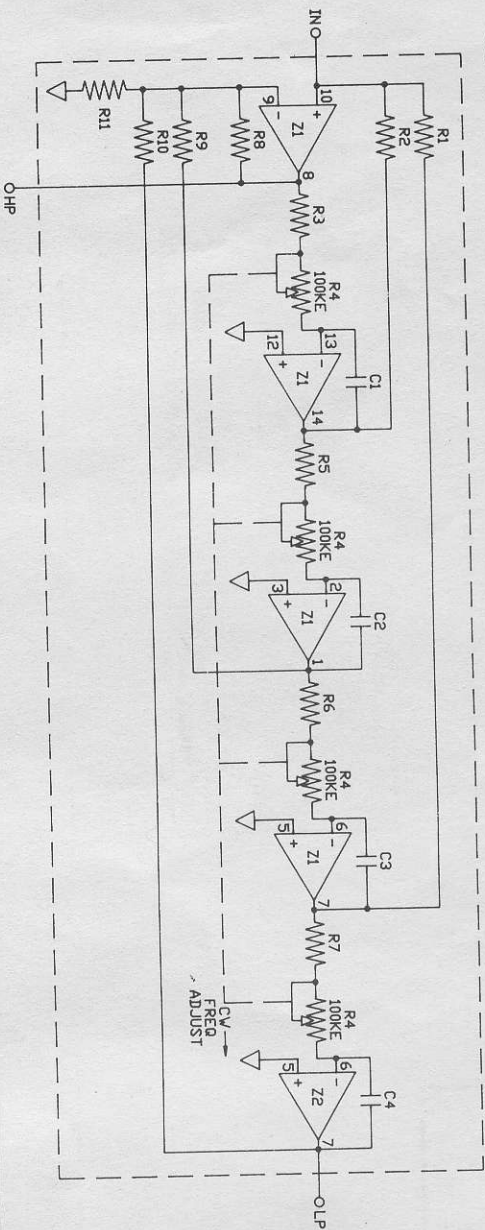


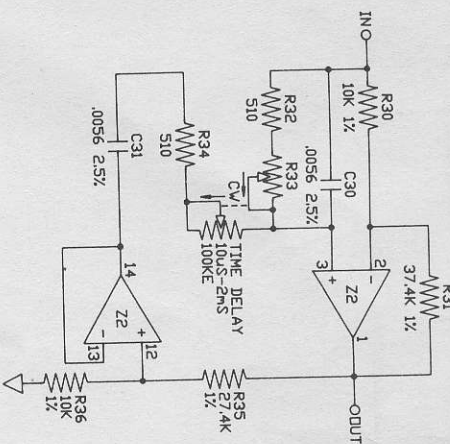
SEE NOTES SHEET 2 (521-067)

REVISIONS	REV. A	ACTION	DATE 14APR88	CHECKED A. CLAYTON	DATE 21APR88	SHEET 1	OF 2	DATE 01SEF89	APPROVED	DD NOT SCALE DRAWING
<p>Comp. 10802 47th Avenue West, Everett                  WA 98204-3400 (206) 355-6000</p> <p><b>PANE</b></p>										
<p>TITLE                  AC22 SCHEMATIC RAP</p>										
<p>DRV. NO. 521-066</p>										
<p>REV. A</p>										

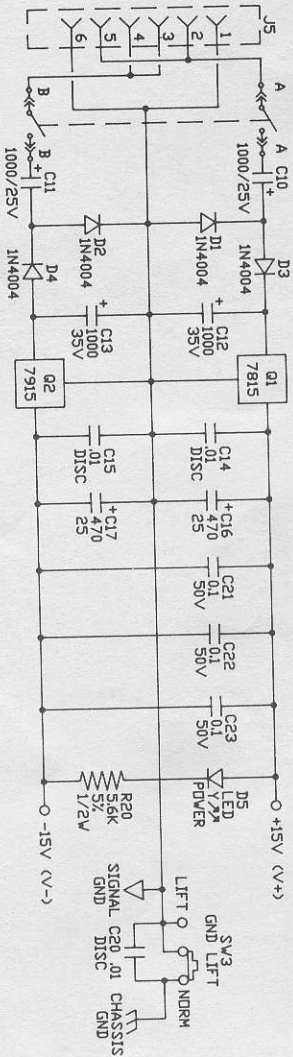
DETAIL 1: TYPICAL LINKWITZ-RILEY CROSSOVER CIRCUIT



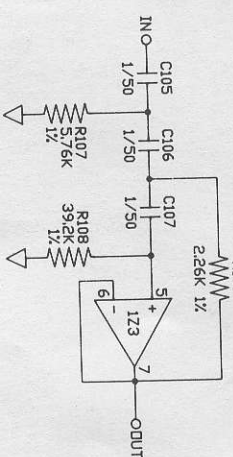
DETAIL 2: TYPICAL DELAY



POWER SUPPLY

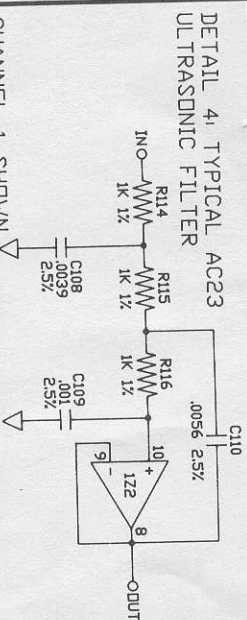


DETAIL 3: TYPICAL SUBSONIC FILTER



CHANNEL 1 SHOWN

DETAIL 4: TYPICAL ACC23 ULTRASONIC FILTER

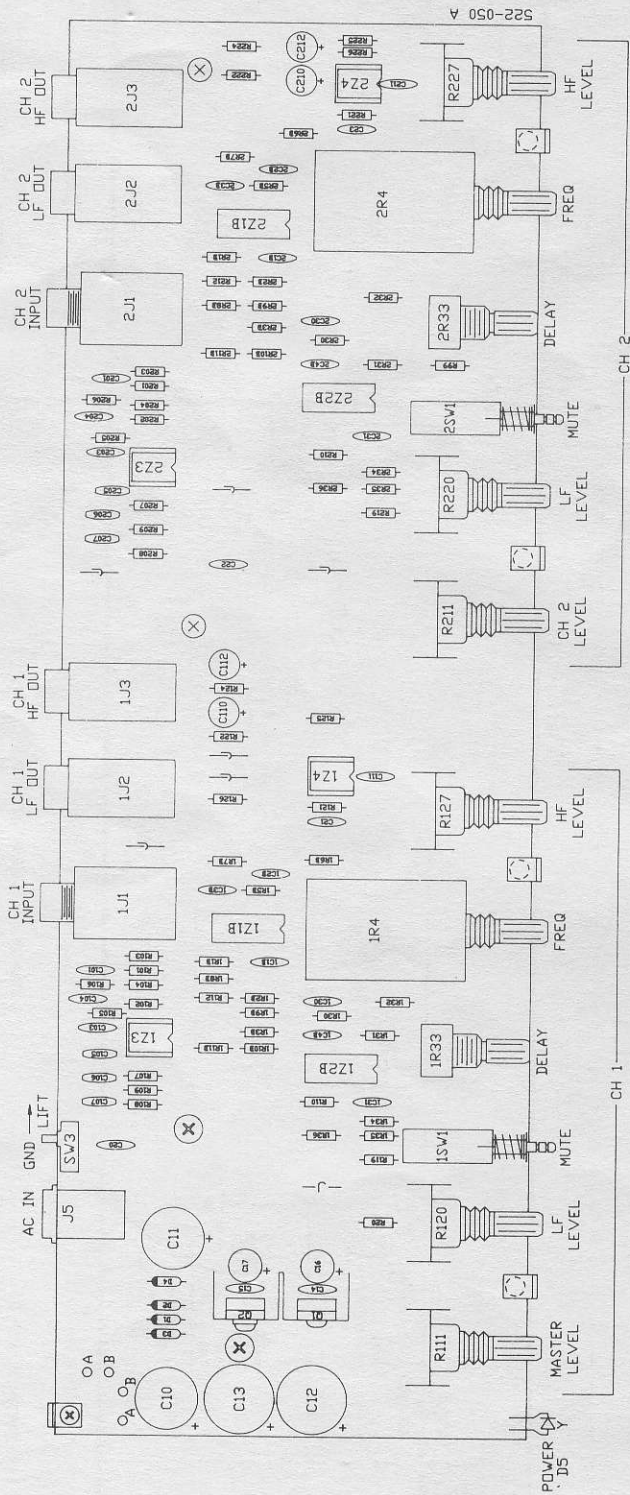


- NOTES (UNLESS OTHERWISE NOTED)
1. ALL RES 1/4W, 1% METAL FILM 5% CARBON FILM.
  2. ALL CAPS IN µF/100
  3. POWER SUPPLY CONNECTIONS:  
DIS. SUFF NEG. SUFF  
SING DIS. SUFF  
DUAL DIS. SUFF
  4. ALL SVS SHOWN IN THEIR 'OUT' OR 'OFF' POSITION
  5. IC TYPES: Z3, Z4, Z5 = 4072  
Z1, Z2 = 4741

COMPONENT DESIGNATION PROTOCOL.

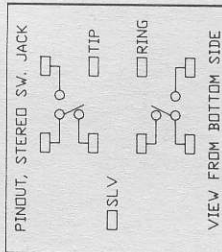
COMMON PARTS NUMBERED 1-99  
CH1 PARTS - EITHER PREFIX '1' OR 100-199  
CH2 PARTS - EITHER PREFIX '2' OR 200-299  
CH3 PARTS - EITHER PREFIX '3' OR 300-399  
ALL VALUES SUFFIXED 'A' REFER TO FREQ RANGE 70Hz-1kHz  
ALL VALUES SUFFIXED 'B' REFER TO FREQ RANGE 75Hz-3.6kHz  
ALL VALUES SUFFIXED 'C' REFER TO FREQ RANGE 450Hz-7kHz  
EXAMPLE: '1R1A' - CHANNEL 1  
-FREQ RANGE 70Hz-1kHz

REVISIONS	REV. A	ACTION	DATE	18APR88	CHECKED	CLAIXTON	DATE	21APR88	SHEET	2	OF	2	DATE	29AUG89	APPROVED	SRM	DO NOT SCALE DRAWING
<p>Corp. 10802 47th Avenue West, Everett WA 98204-3400 (206) 355-6000</p> <p><b>RANE</b></p> <p>TITLE: POWER SUPPLY AND DETAILS ACC22 &amp; ACC23 RAP</p> <p>DRV. NO. 521-067</p> <p>REV. A</p>																	



NOTES - UNLESS OTHERWISE SPECIFIED

- PINOUT OF 1J1, 2J1 IS:
  - 5  6
  - 4  2
  - 7  3
  - 8  9
 (BOTTOM VIEW)



**RANE**

TITLE  
AC22  
ASSY RAP

REV. NO. 522-050

REV. A

Corp. 10802 47th Avenue West, Everett  
WA 98204-3400 (206) 355-6000

DATE 01SEP89 APPROVED  
DO NOT SCALE DRAWING

CHECKED A. CLAYTON DATE 27APR87 SHEET 1 OF 1

REVISIONS REV. A ACTION  
DRAWN S. TURNIDGE DATE 24APR87