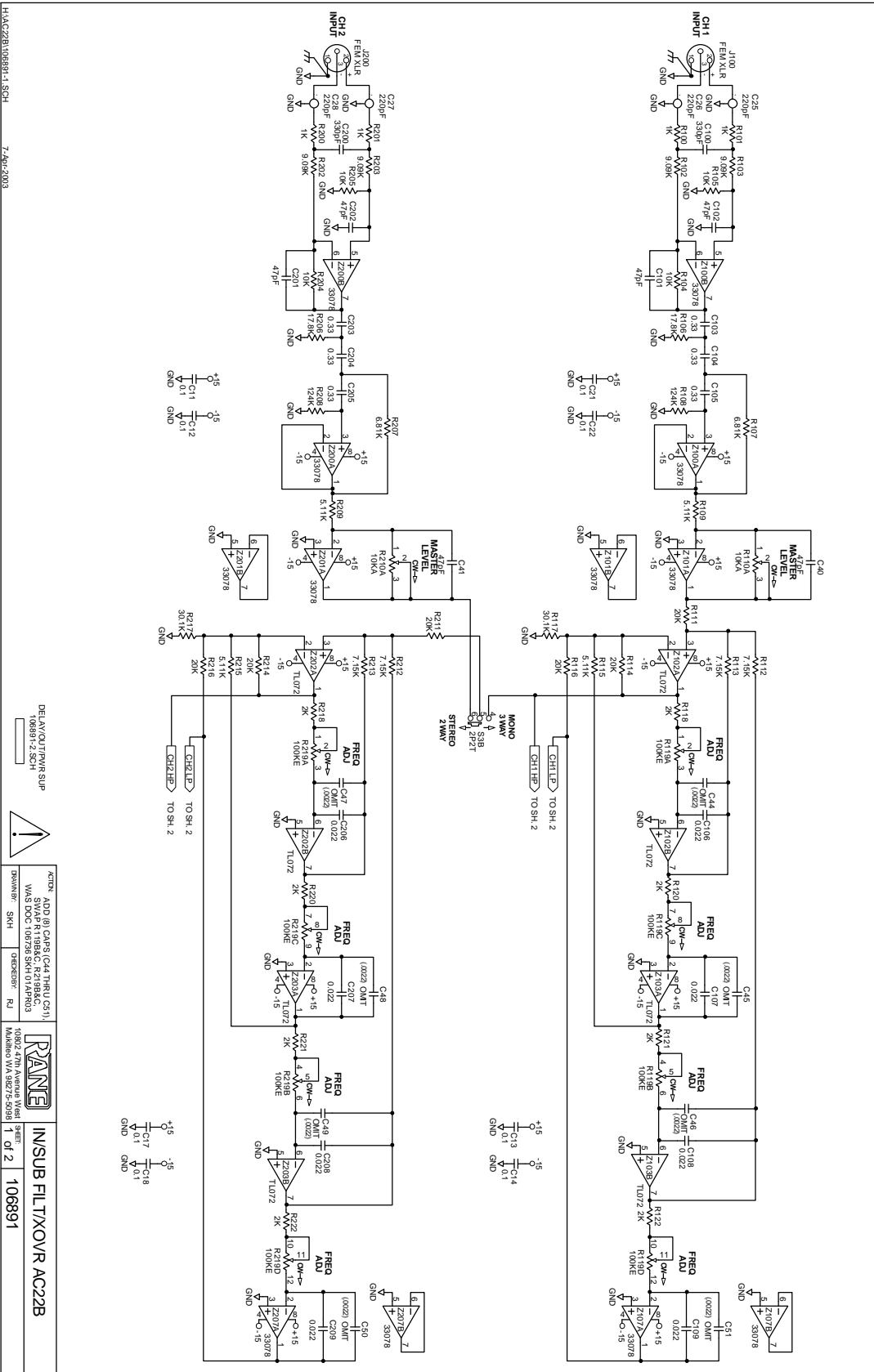


Rane Corp. (425)355-6000
 106893 DES AC22B
 ACTION: ADDED C44 THRU C55 CAPS,
 MOVED SOME PARTS, WAS DOC 106169 SKH 01APR03



106891-2-SCH

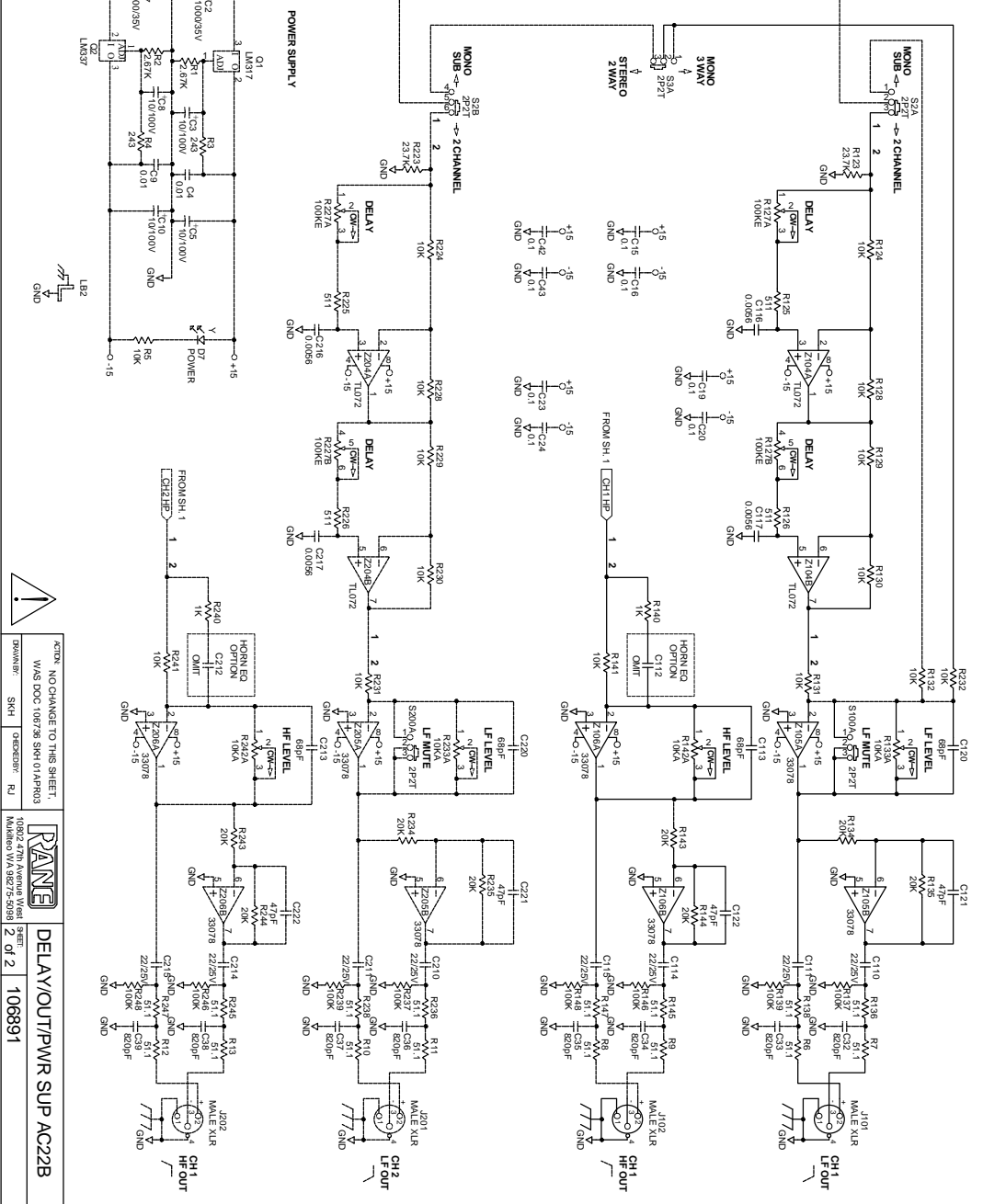
DELAVO/TPWR SUP
106891-2-SCH

ACTON ADJ 81 CAS (C4 TRH) (C5)
SHEET 1 OF 2
WAS DDC 106728 SH4 01A PR03



INSUB FIL TXOVR AC22B
106891-2-SCH
SHEET 1 OF 2

106891-2-SCH



NO CHANGE TO THIS SHEET.
 WAS DOC 106736 SH4 01 APR03
 DRAWN BY: SH4
 CHECKED BY: RU

RYANE
 10802 47th Avenue West
 Mukwonago, WI 53075-5899
 Z of 2 106891

DELAY/OUT/PWR SUP AC22B