

PHANTOM POWER

1-4 MIC/LINE

INPUT 1 LINE INPUT 2 LINE INPUT 3 LINE INPUT 4 LINE

INPUT 5 INPUT 6 INPUT 7 INPUT 8 OUTPUT A OUTPUT B

POWER

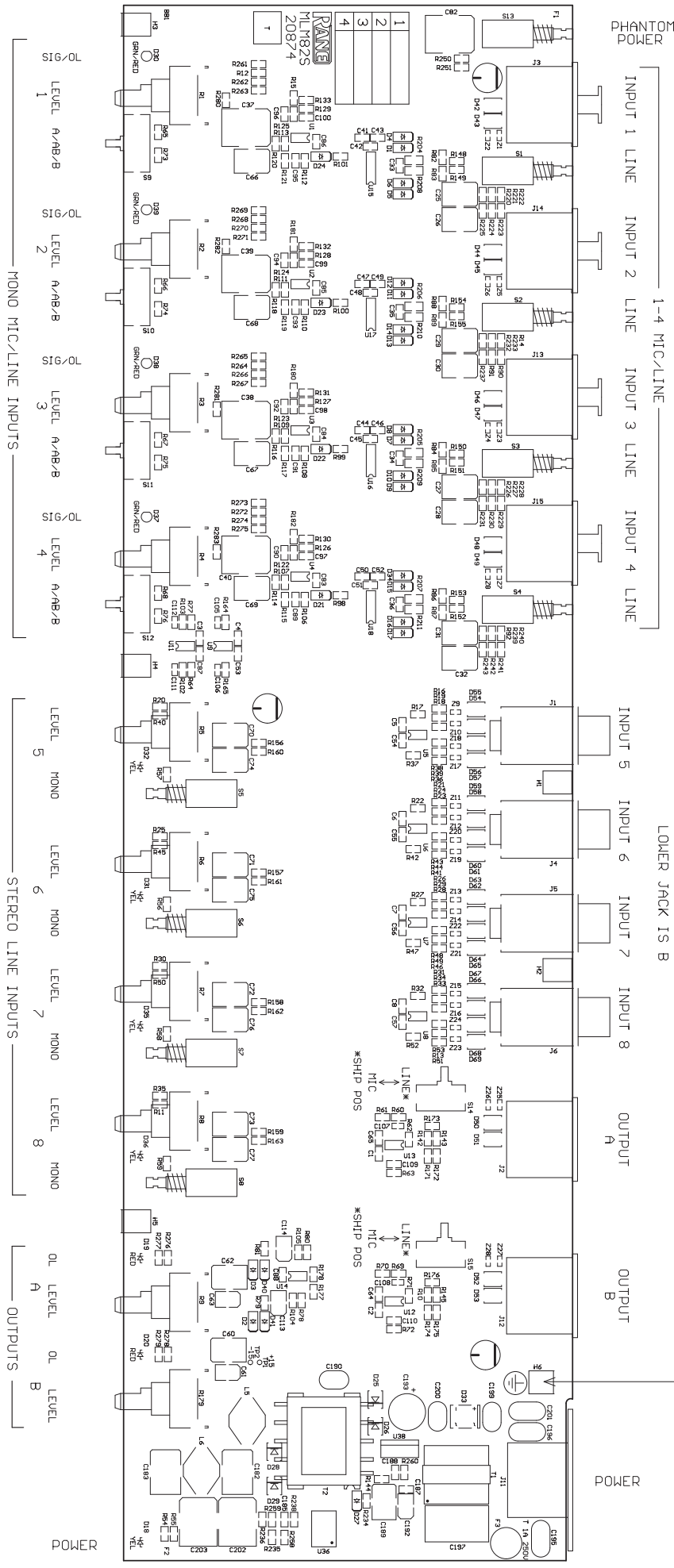
UPPER JACK IS A LOWER JACK IS B

PREP NOTE:
CLIP OFF TAB ON STACKED JACKS J1, J4, J5, J6

114839 FILM 1 OF 5 TOP SILKSCREEN MLM82S

MASK THE ABOVE LEADS

MASK THIS HOLE



Main



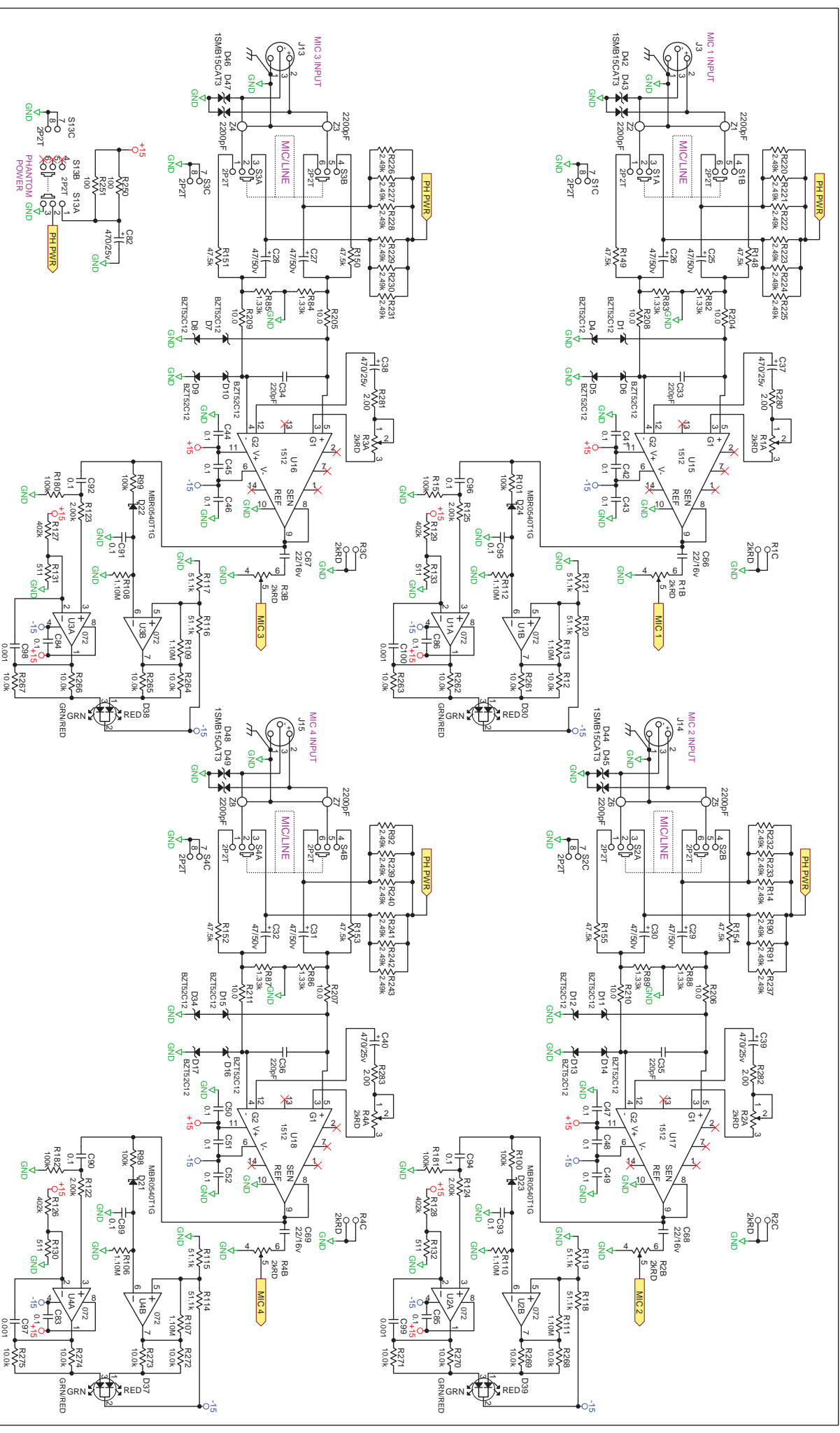
ACTION:
 ECN 114570
 R1 TO SMT CONVERSION
 DRAWN BY:
 CHECKED BY:



MIC INPUTS MLM82S

10902 47th Avenue West
 Mukilteo WA 98275-5098
 SHEET 1 of 3

114577

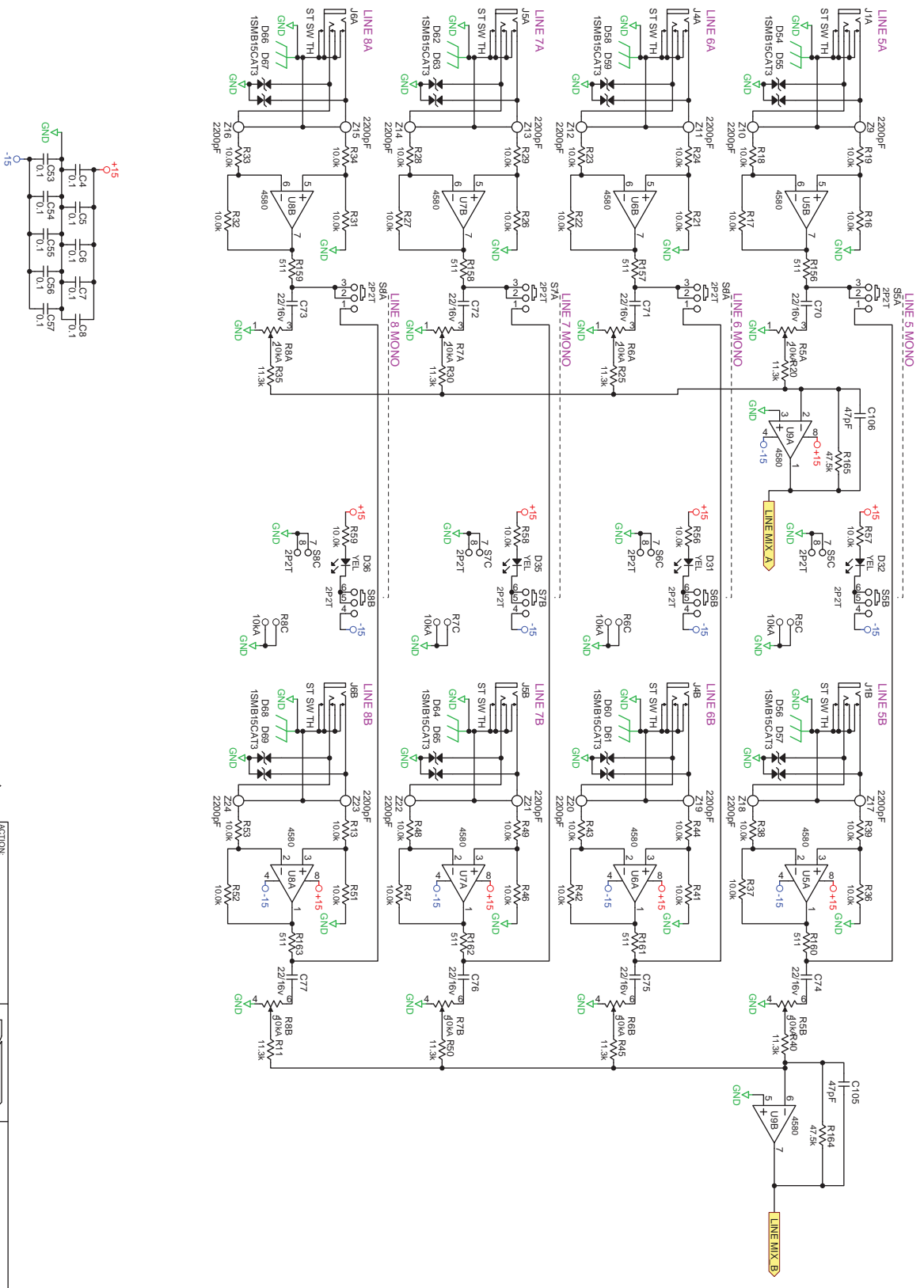


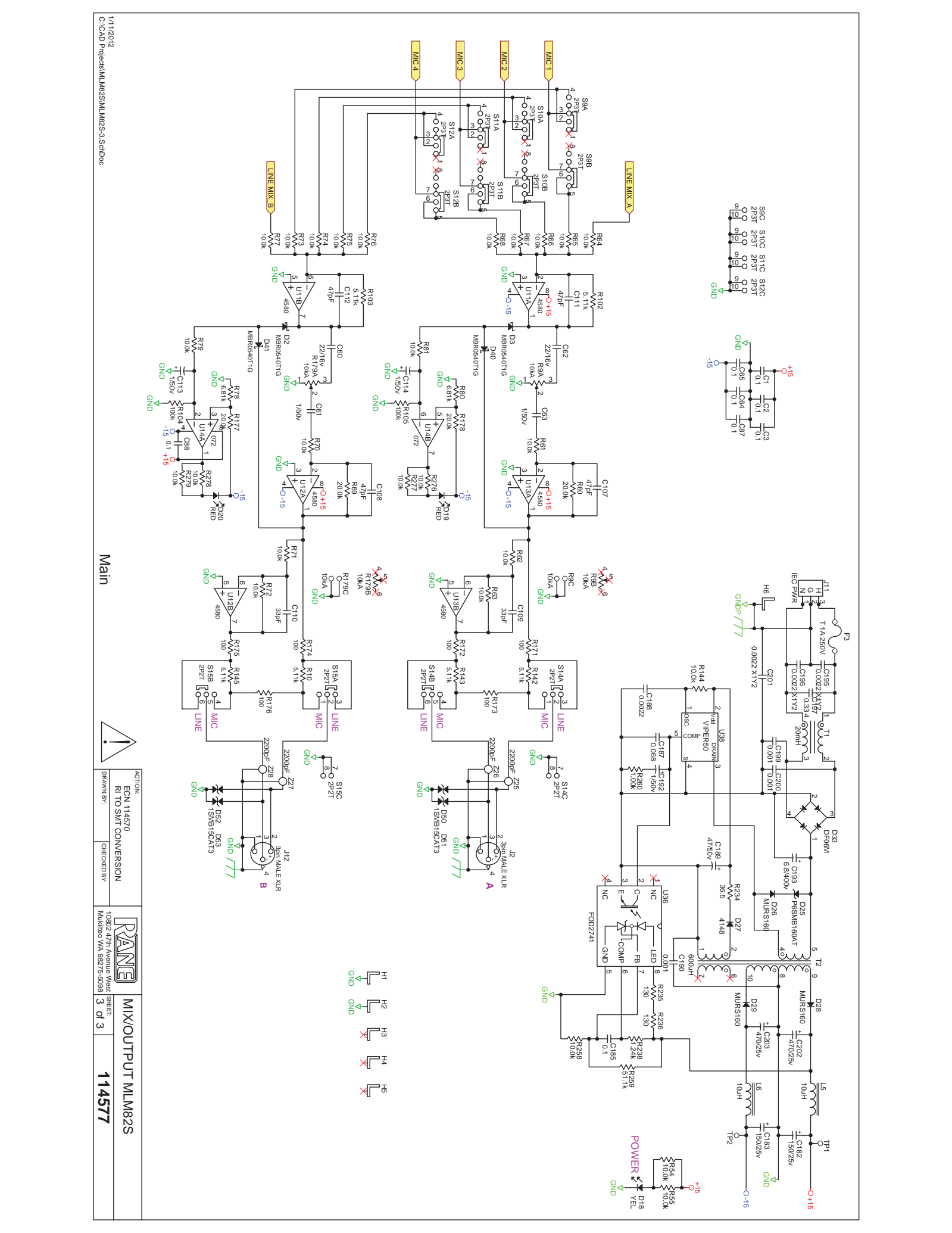


ACTION:
 ECN 114570
 RI TO SWIT CONVERSION
 DRAWN BY:
 CHECKED BY:

RAVE
 10802 47th Avenue West
 Mukilteo WA 98275-5098

LINE INPUTS MLM82S
 SHEET 2 of 3
 114577





ACTION:	ECN 114570
DESCRIPTION:	R1 TO SMT CONVERSION
DRAWN BY:	CHECKED BY:

PCB

MIX/OUTPUT MLM825

10802 47th Avenue West
 Mukilteo WA 98275-5098

SHEET 3 of 3

114577

