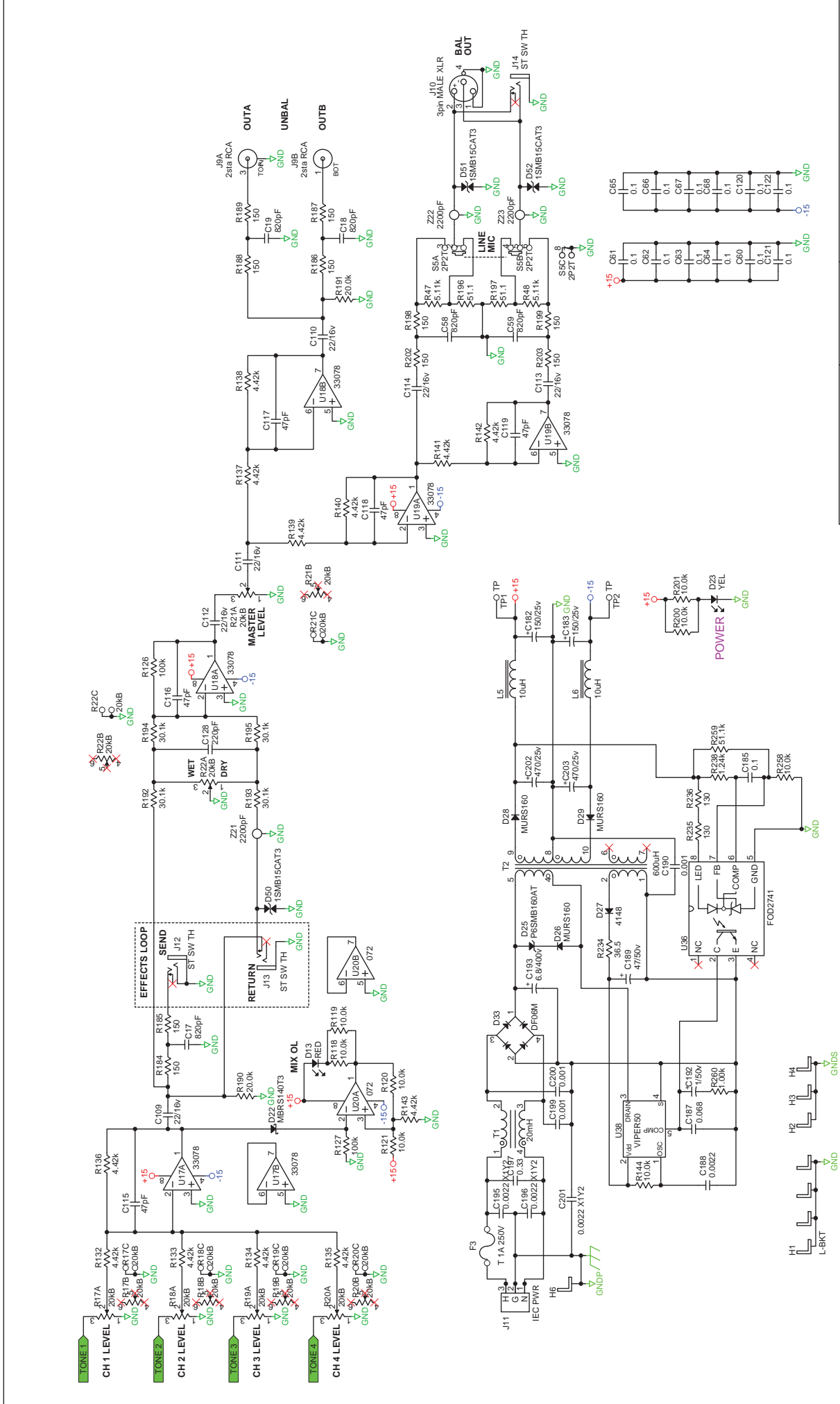


ACTION:  
 DRAWN BY: **RJ** CHECKED BY: **MR**



ACTION: CHANGED RI PARTS TO SMT.  
 ADDED DS1THRU DS4  
 WAIS DOC 110223 18JAN12 SKH

DRAWN BY: **RJ** CHECKED BY: **MR**

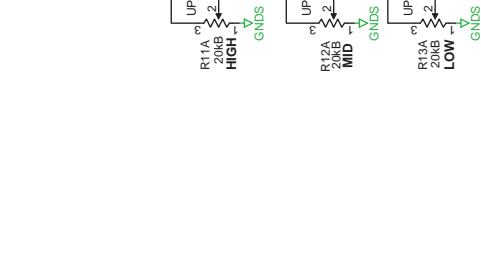
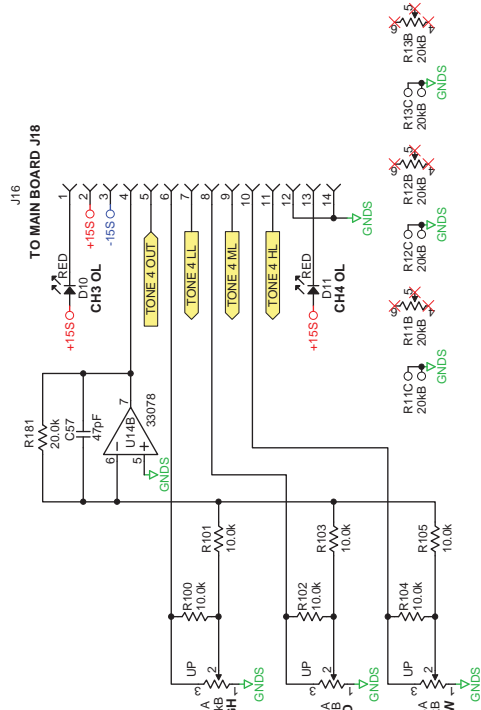
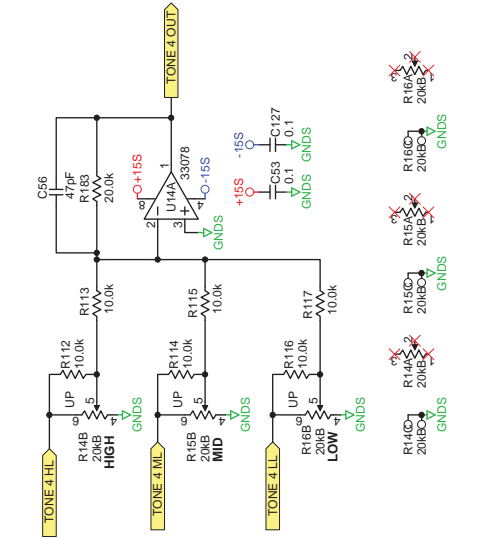
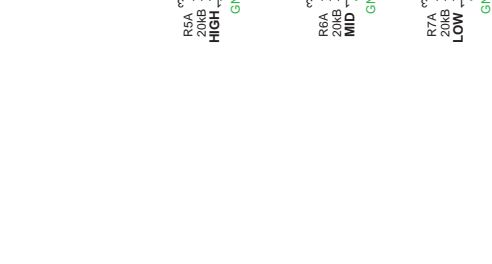
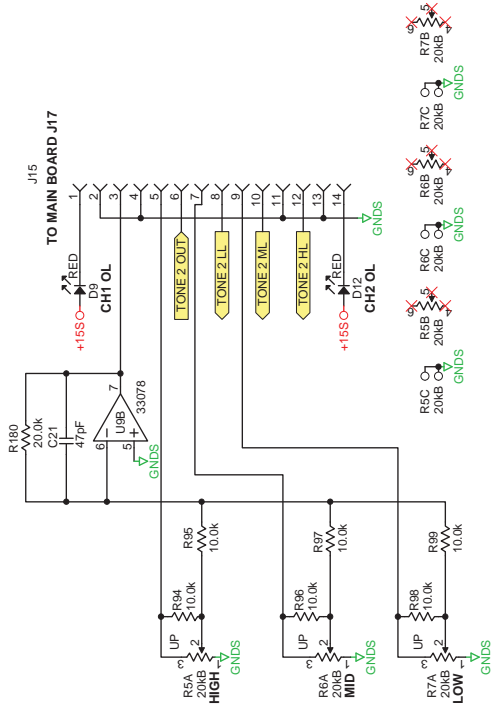
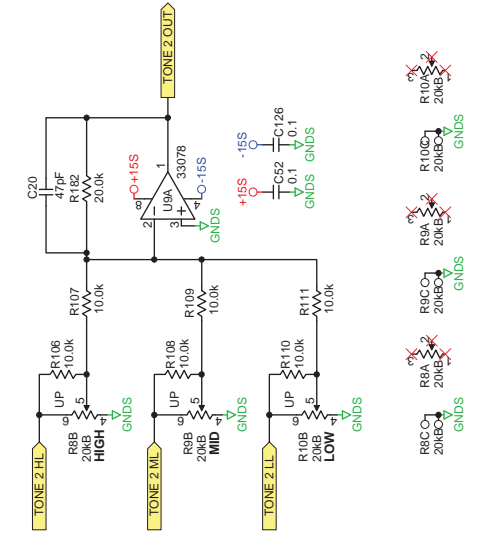
**OUTPUT MLM42S**

10802 47th Avenue West  
 Mukilteo WA 98275-5998

SHEET: **3** of **4**

**114628**

**MAIN**



ACTION: PUT ON OWN SLIDER PRICE  
NO CHG TO ANY CIRCUITS.  
WAS DOC 110223 18JAN12 SKH

DRAWN BY: **RJ** CHECKED BY: **MR**

1/25/2012  
C:\CAD Projects\mlm42s\MLM42S-4.SCHDOC

SLIDER



SLIDER BOARD MLM42S  
10802 47th Avenue West  
Mukilteo WA 98275-5098

114628

4 of 4