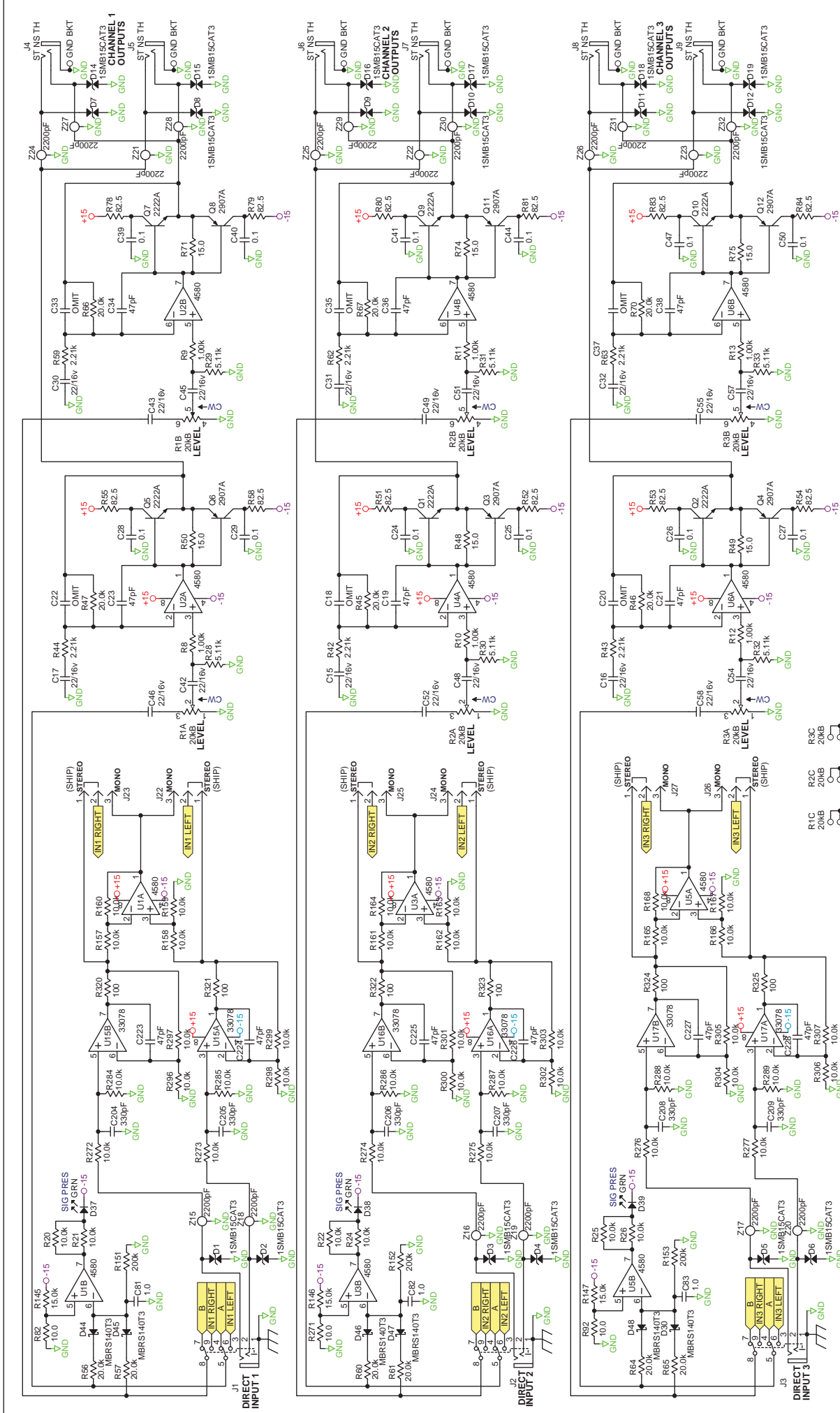


OMIT:
C22, C33,
C18, C35,
C20, C37,
C62, C97,
C68, C99,
C74, C101

114600FILM 1 OF 5 TOP OVERLAY HC6S

Rane Corp. (425)355-6000
114597 DES HC6S
ACTION: ADDED DIODES ON ALL THE INPUTS AND
OUTPUTS, CHG RI PARTS TO SMT 13JAN12 RWJ



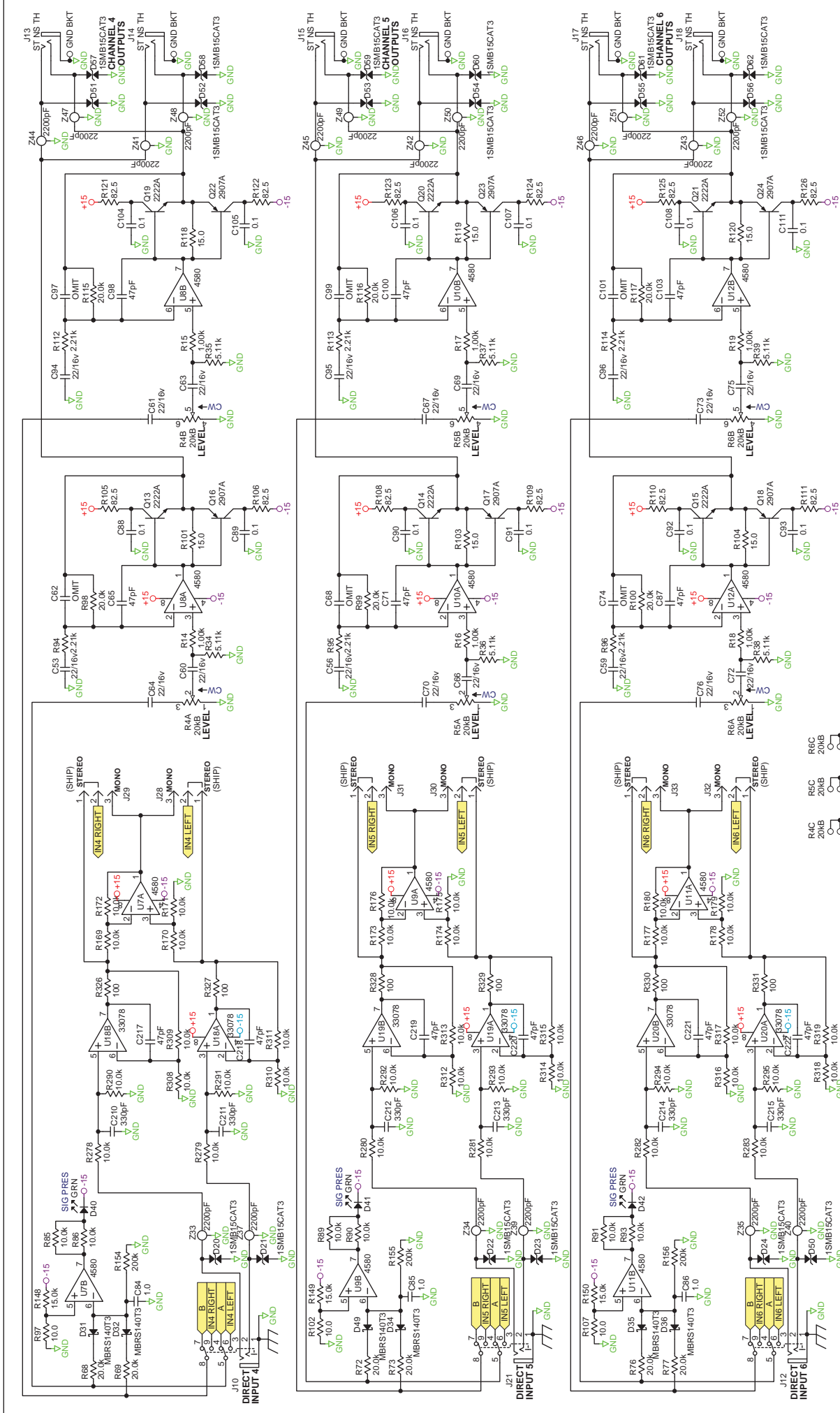
ACTION: ADDED TVS DIODES & CHG EMI
 ADDRESS: 10802 47th Avenue West
 WASH 112136 RWJ 1/11/12
 DRAWN BY: MRR CHECKED BY: RJ

CH. 1-3 IN/OUT HC65
 10802 47th Avenue West
 Mukilteo WA 98275-5998
114596

R1C 20k
 R1B 20k
 R2C 20k
 R2B 20k

Main

1/13/2012
 C:\CAD Projects\HC65\HC65-1_SCH.DOC

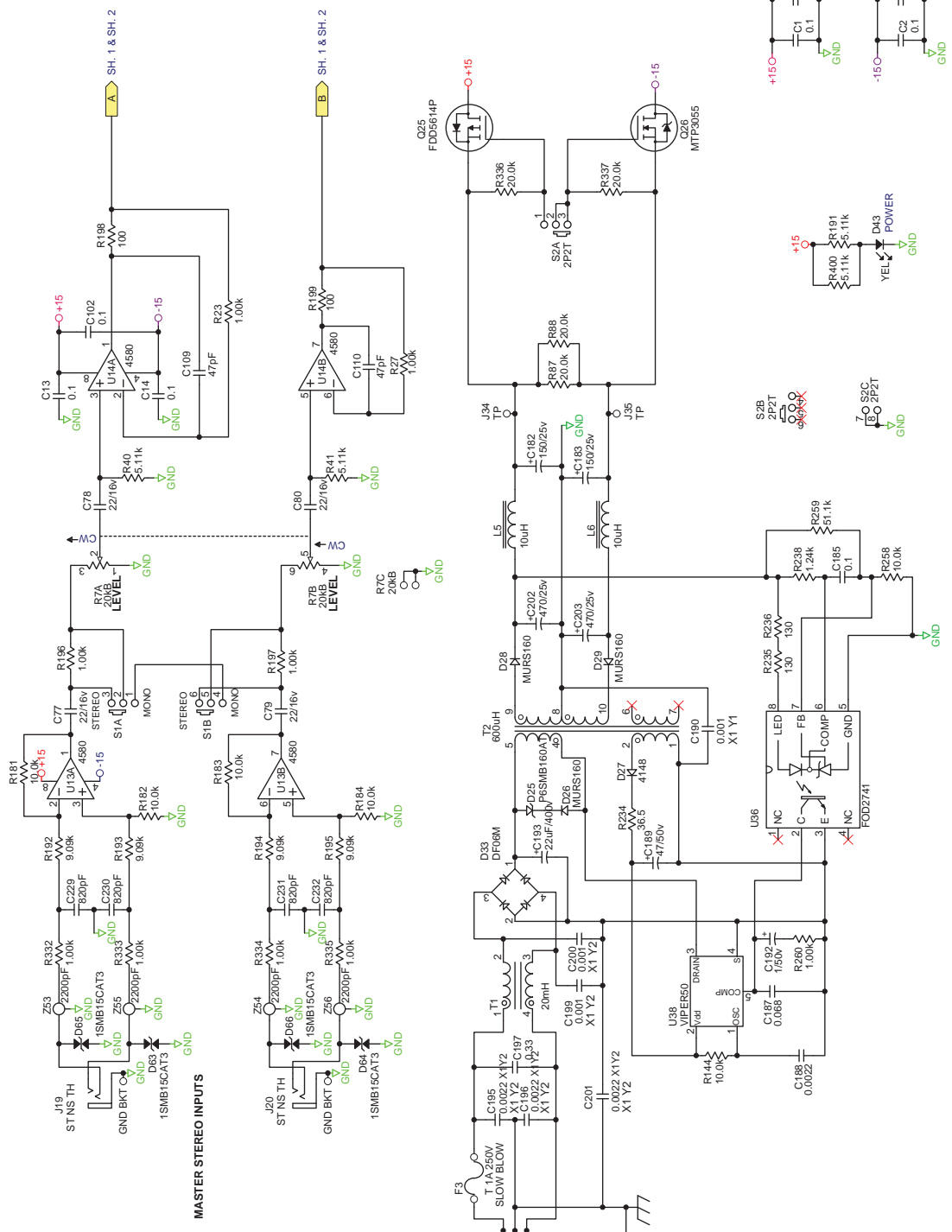


ACTION: **ADD** PLYS DIODES & CHG EMI
 WAS 11/23/06 RWJ 1/11/12
 DRAWN BY: **MRR** CHECKED BY: **RJ**

CH. 4-6 IN/OUT HC6S
114596

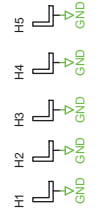
10802 47th Avenue West
 Mukilteo WA 98275-5098
 SHEET: 2 of 3

Main



MASTER STEREO INPUTS

DECOUPLING CAPS



Main


CAUTION
 ACTION:
 ADDED TVS DIODES & CHG EMI
 FILTERS TO C195, C196, C203,
 L5, L6, C182 & C183 TO SH. 2
 DRAWN BY: **MRR** CHECKED BY: **RJ**

WAS 112136.RWJ.1/11/13