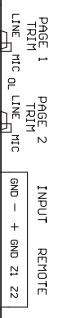


PREP NOTE: INSTALL S7, S9, S10, S11 IN PREP AND BEND LEADS

114614 FILM 1 OF 8 TOP SILKSCREEN

PAGING INPUTS



PROGRAM INPUTS



LIMITER



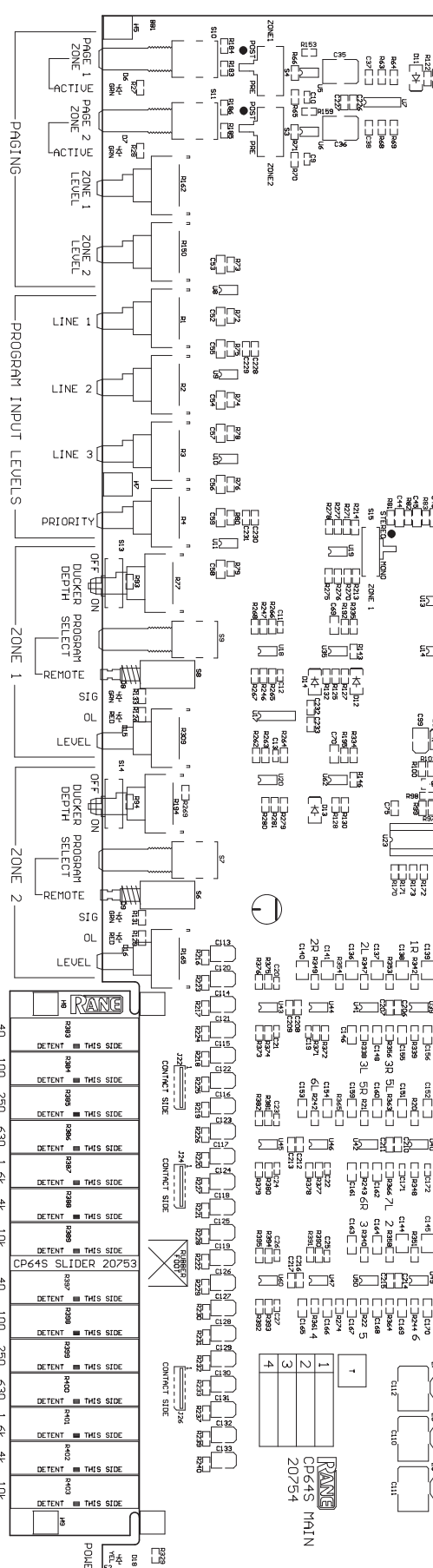
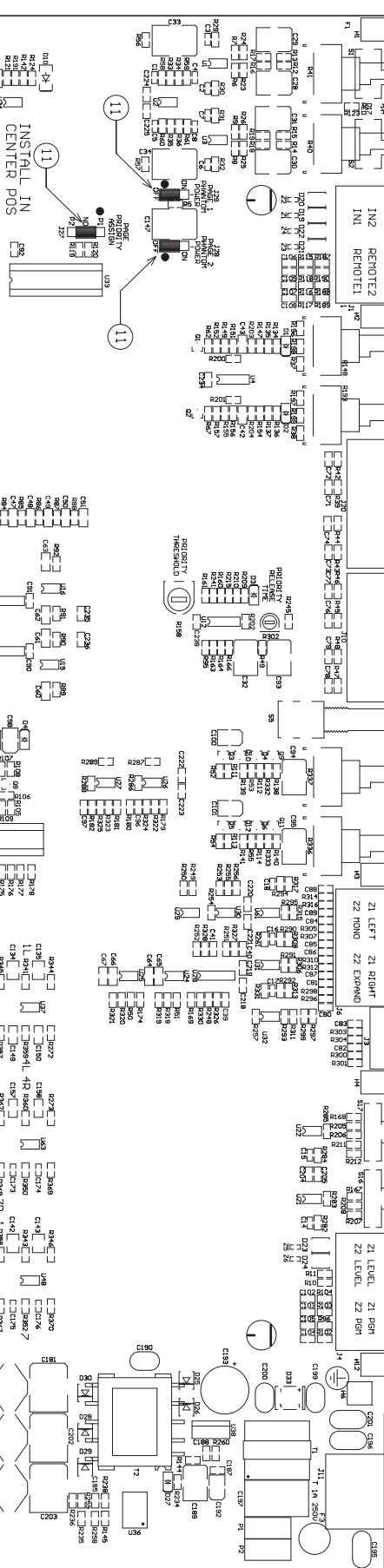
OUTPUTS

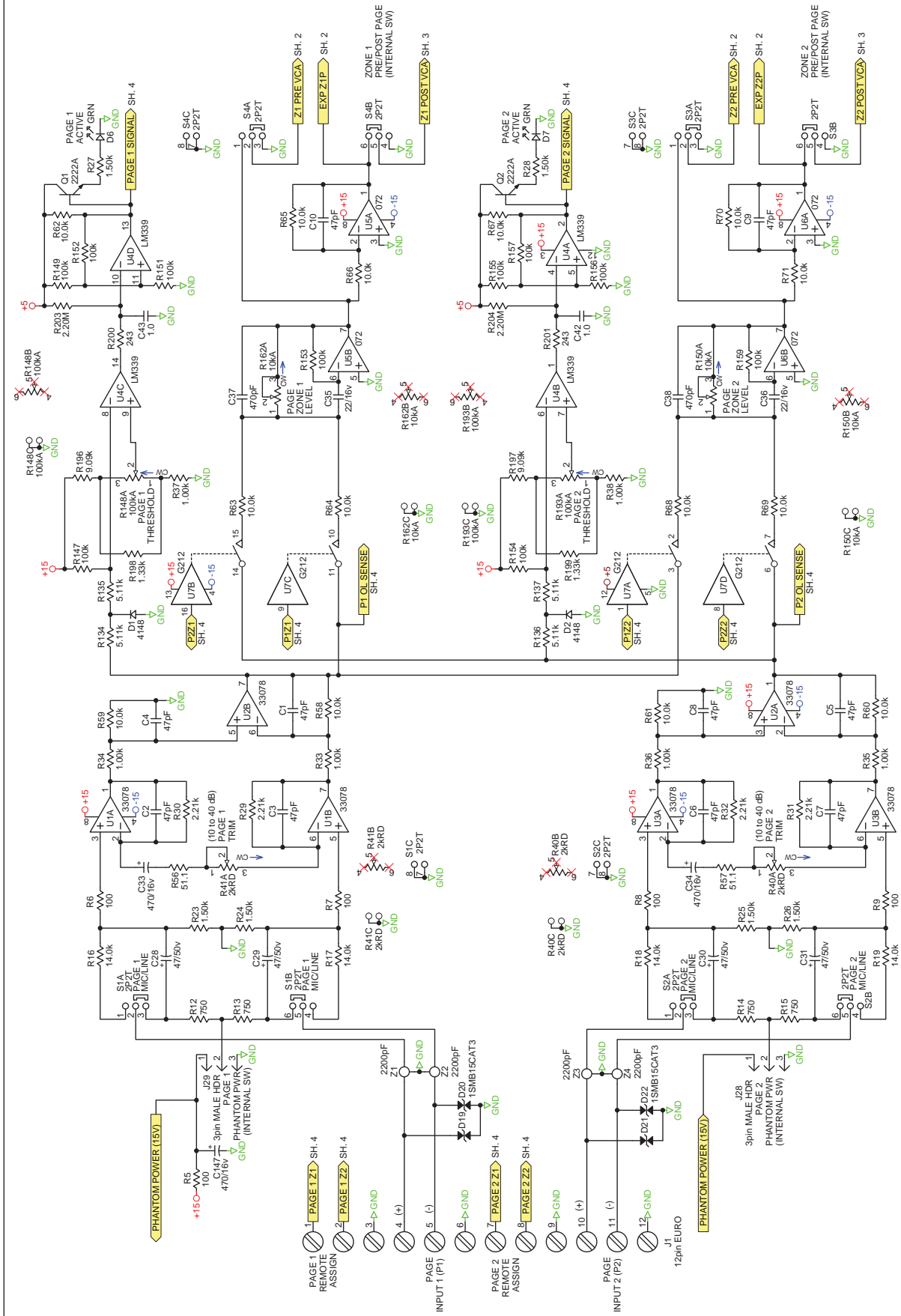


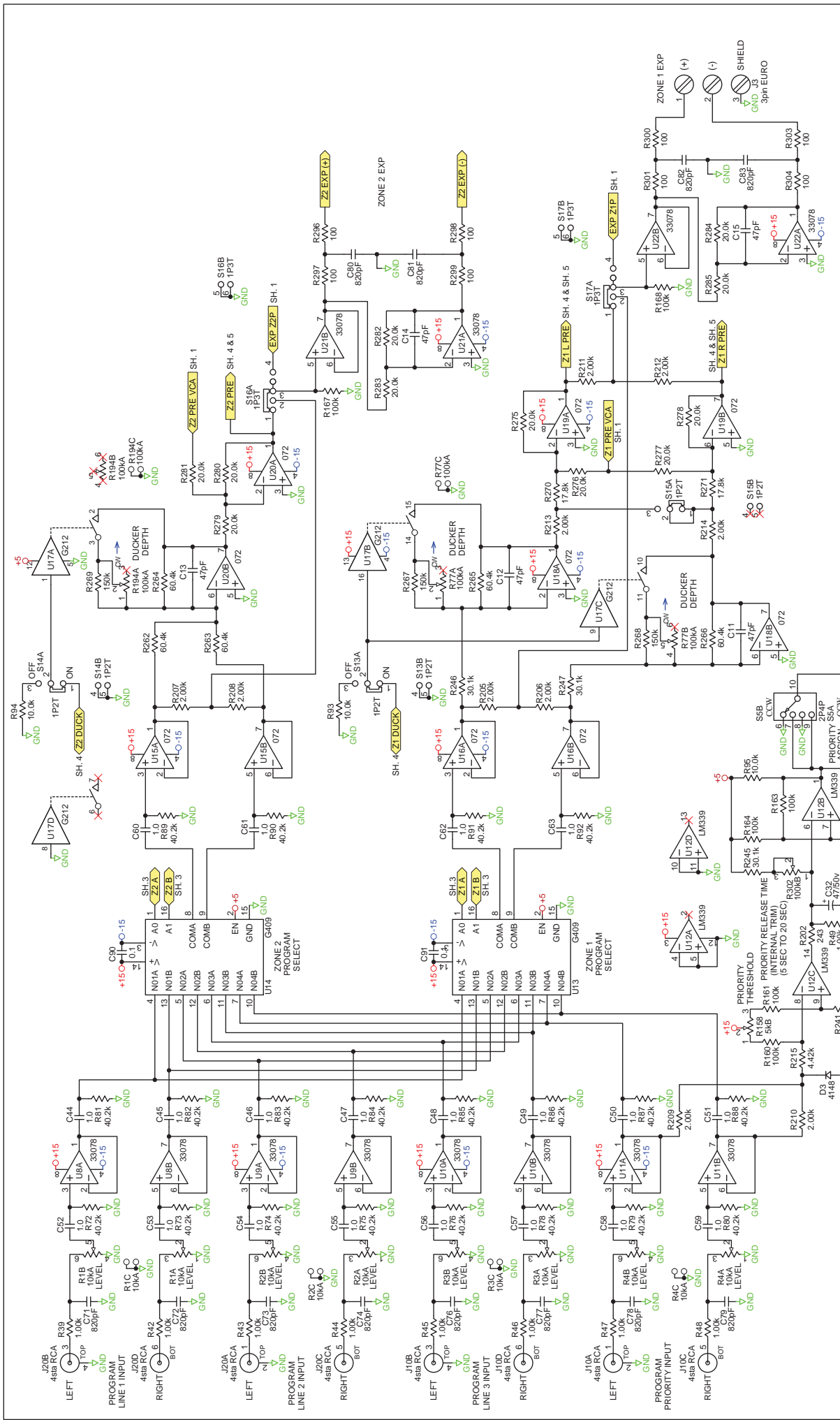
RENOTES

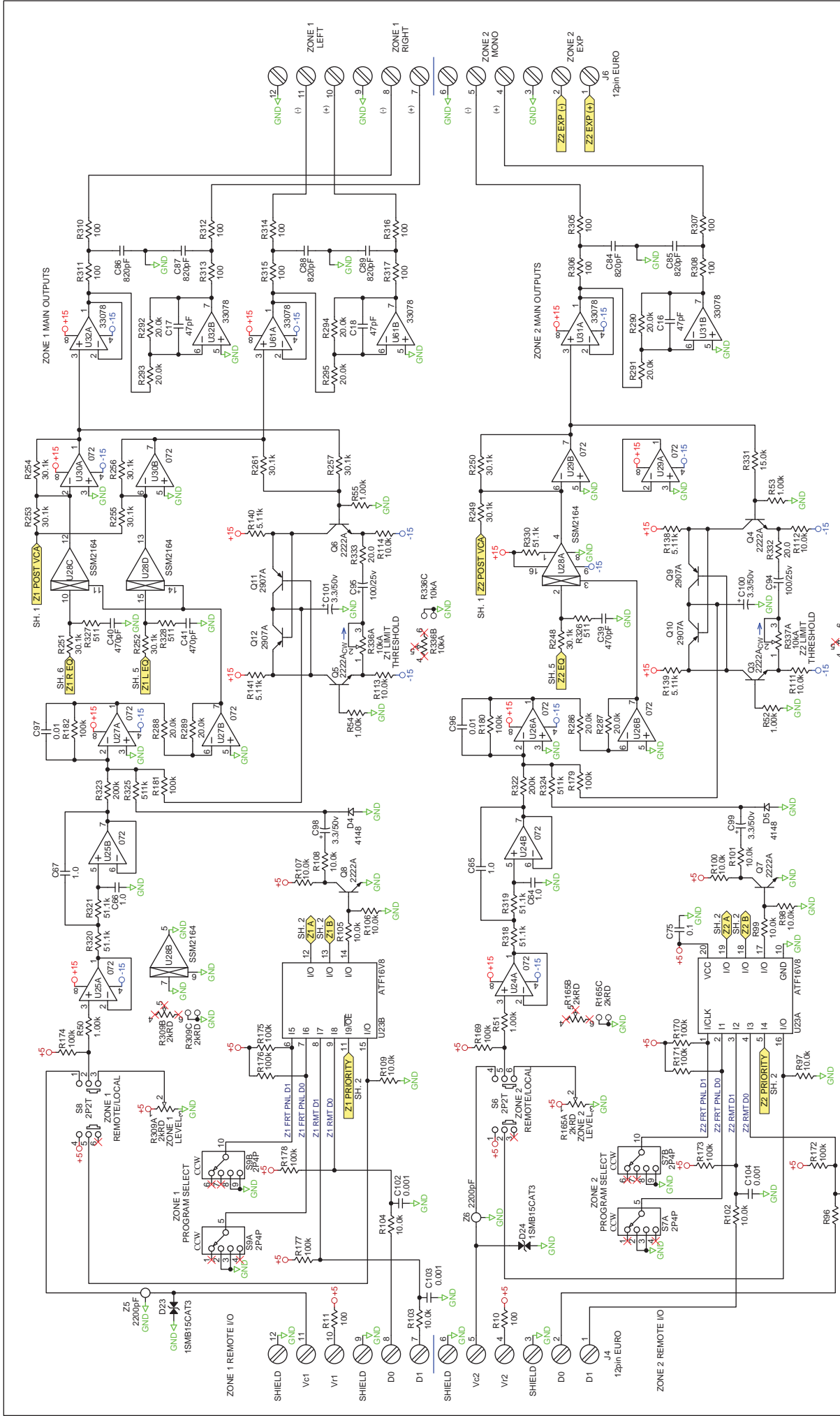


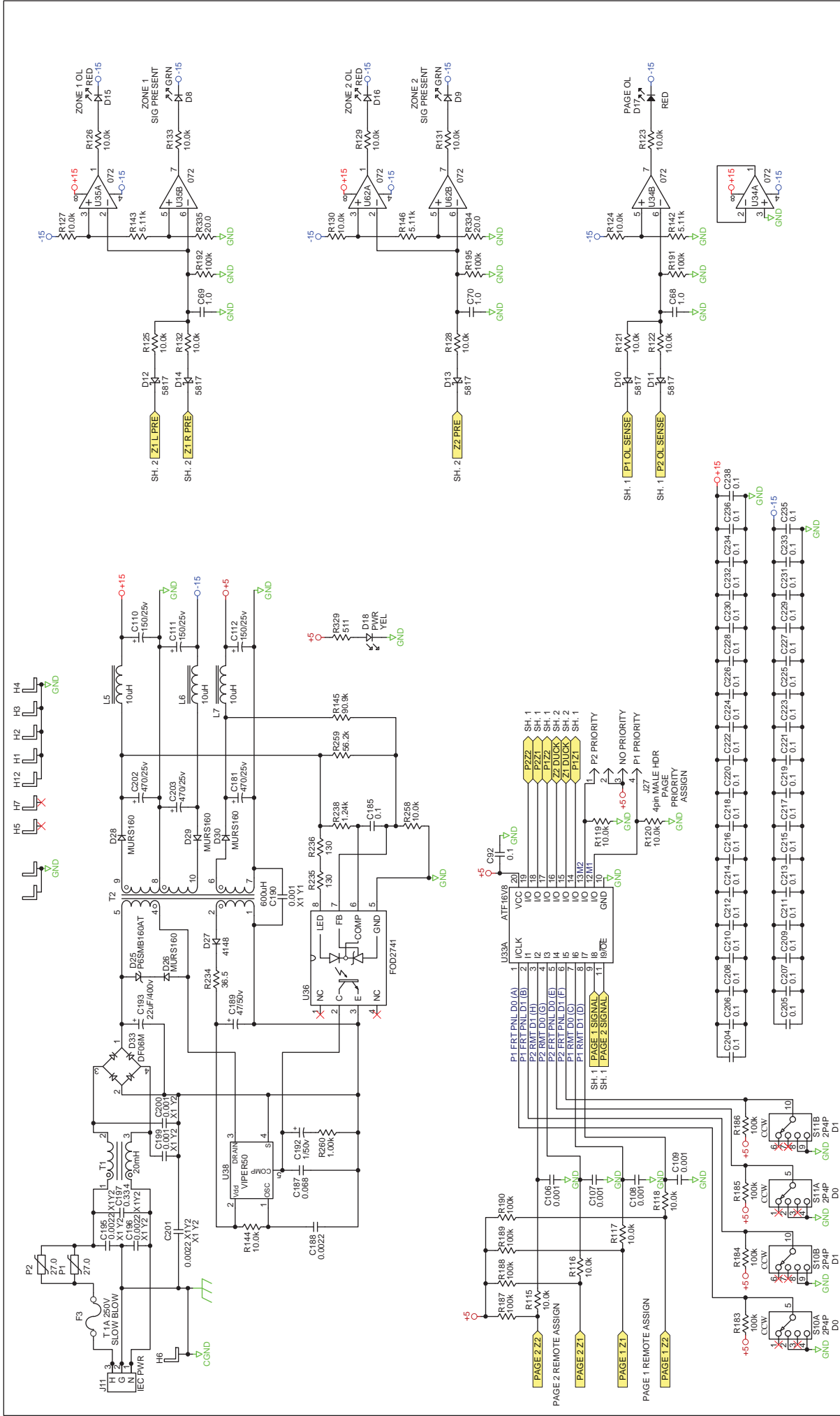
POWER



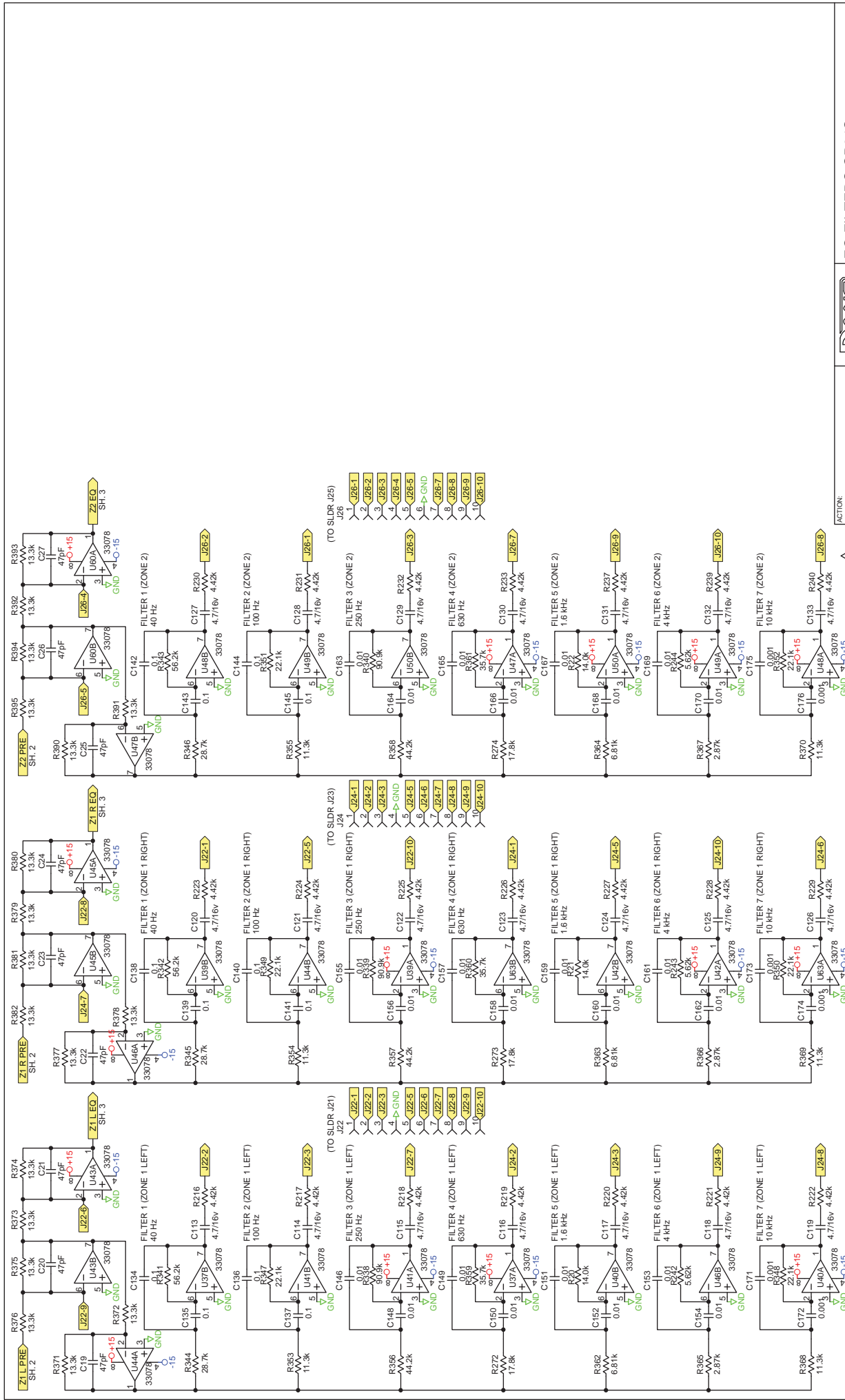








ACTION:		DRAWN BY: SKH		CHECKED BY: RJ	
PWR SUP/ZONE REMOTE CP64S		10802 47th Avenue West		SHEET: 4 of 6	
114618		Mukilteo WA 98275-5098			
Main		PAGE 1 ZONE ASSIGN		PAGE 2 ZONE ASSIGN	



ACTION:



Main



10802 47th Avenue West  
 Mukitiao WA 98275-5098

CHECKED BY: **RJ**  
 DRAWN BY: **SKH**

EQ FILTERS CP64S  
 SHEET: **5** of **6**  
**114618**

