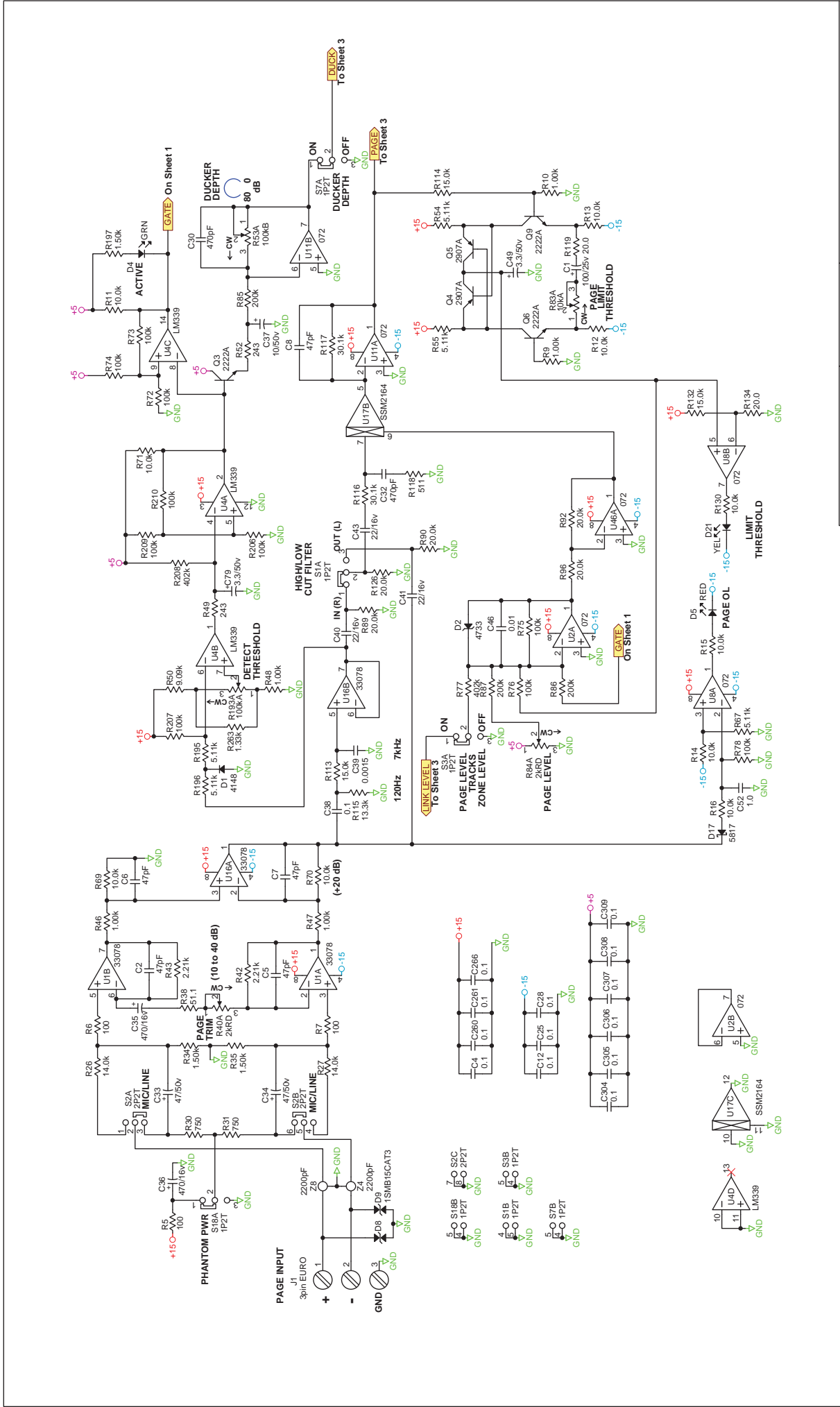


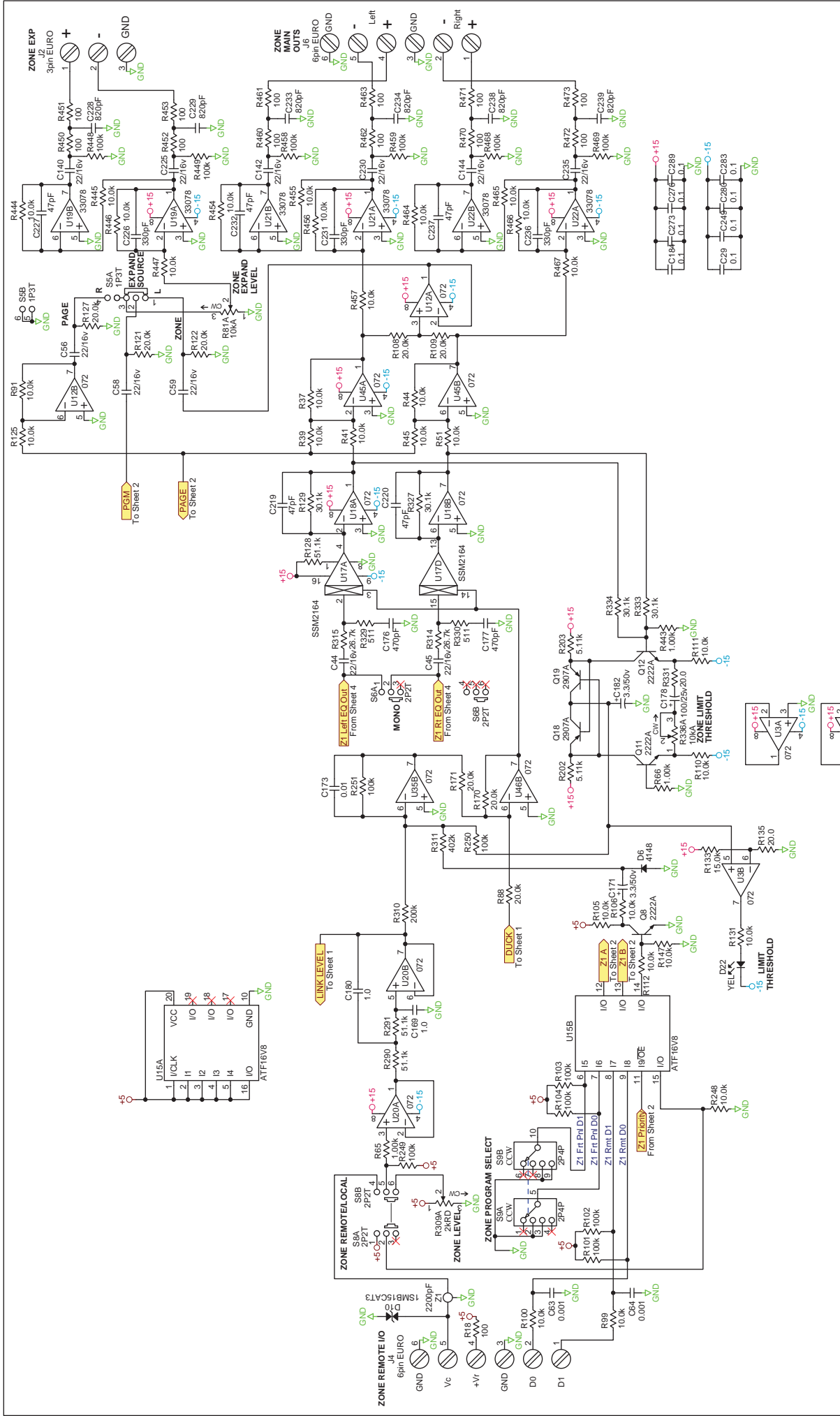
PREP NOTE: INSTALL S9 IN PREP AND BEND LEADS

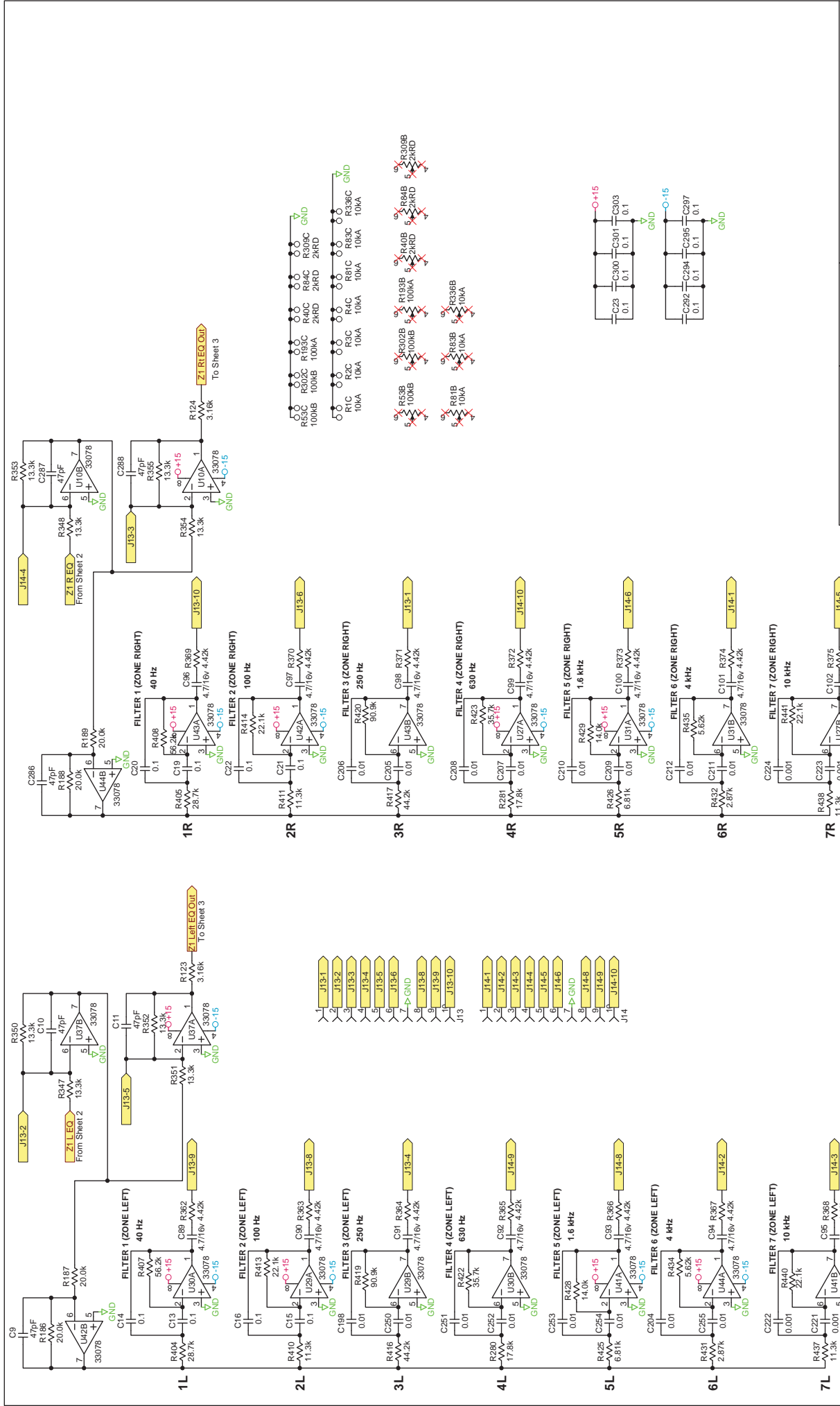
114635 FILM 1 OF 6 TOP SILKSCREEN

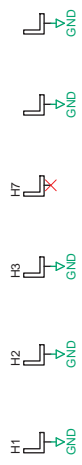
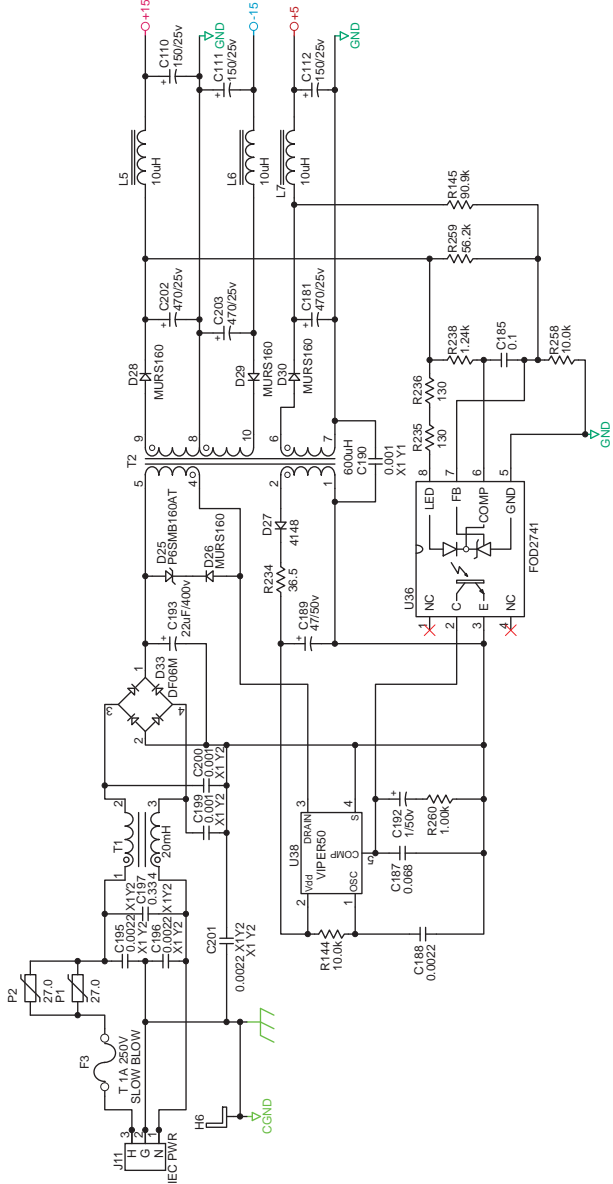




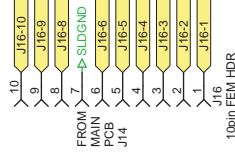
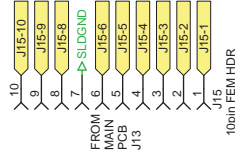
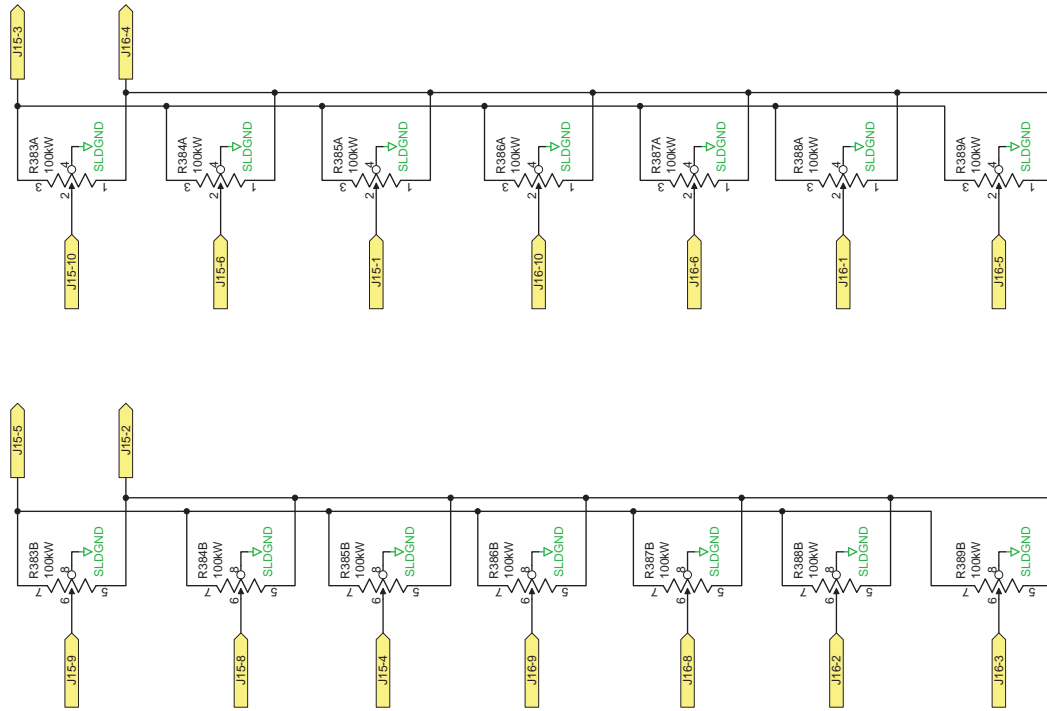








ACTION:		DRAWN BY: SKH		CHECKED BY: RJ	
		Main			
		CP52S PWR SUPPLY		114640	
27/2012		C:\CAD Projects\CP52S\CP52S-5.SCHDOC		10802 47th Avenue West	
				Mukilteo WA 98275-5098	
				SHEET: 5 of 6	
				RANGE	



FROM MAIN PCB J14

FROM MAIN PCB J13

10pin FEM HDR

10pin FEM HDR



ACTION:  
 DRAWN BY: SKH  
 CHECKED BY: RJ

CP52S SLIDER BOARD  
 SHEET: 6 of 6  
 114640

2/7/2012  
 C:\CAD Projects\CP52S\CP52S-6.SCHDOC

Slider Board